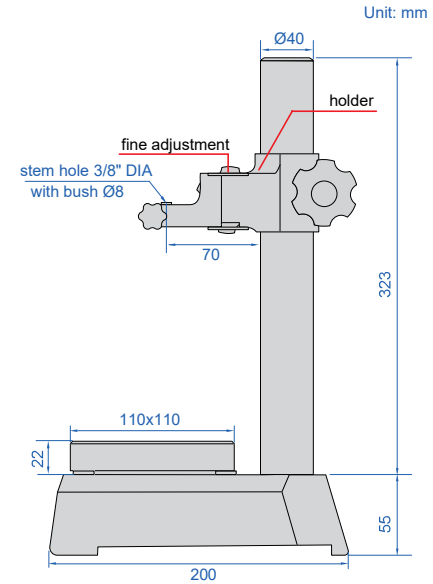


## DIAL INDICATOR STAND



**6861-250**

- Vertical travel of holder: 250mm
- Fine adjustment range: 1mm
- Supplied with dust cover



Code	Applicable holding stem	Anvil
<b>6861-250</b>	$\text{Ø}8\text{mm}$ , $3/8''$	ceramic, plain, flatness $1.5\mu\text{m}$